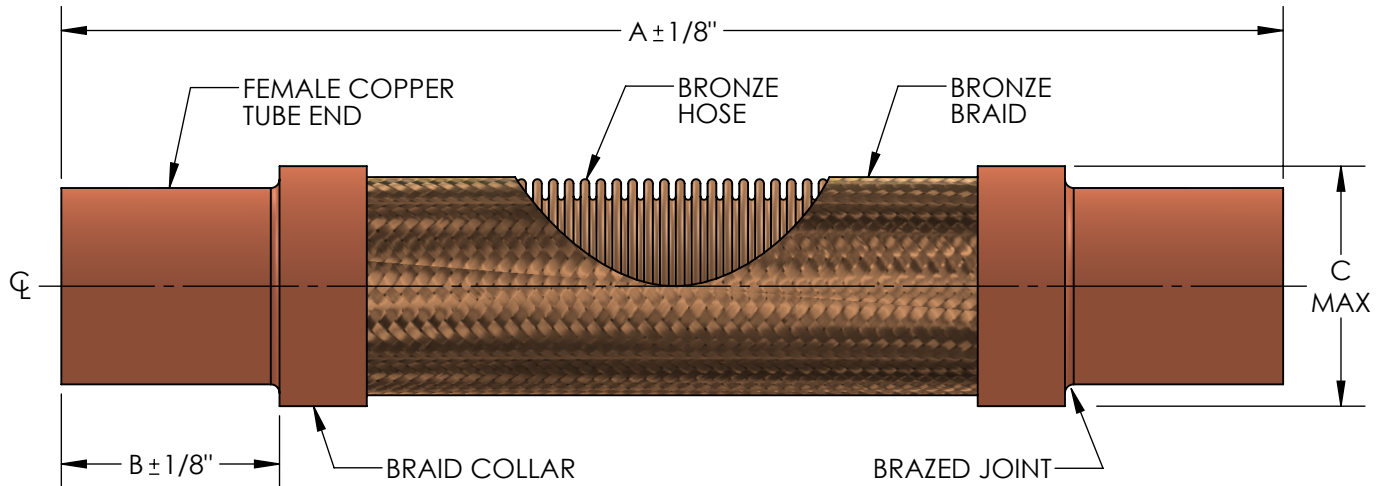


**MODEL BBSC
FLEXIBLE PUMP CONNECTOR FOR COPPER PIPE**



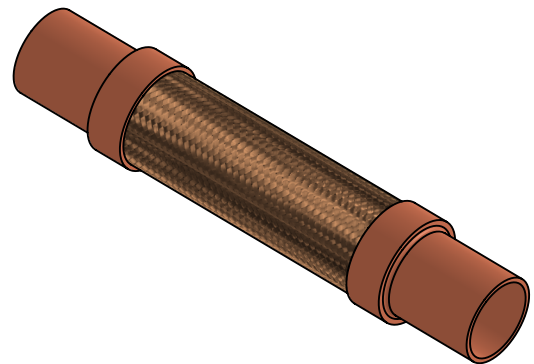
SIZES FROM 2-1/2" USE STAINLESS STEEL HOSE AND BRAID TO ASSURE HIGH PRESSURES.
DO NOT USE WRENCHES ON HOSE OR BRAID COLLAR.
THE ID OF COPPER TUBE MEETS ASA STANDARD B16.18-1950 AND ASA B16.22-1951.

QTY	PART NUMBER	PIPE SIZE		A	B	C MAX	PRESSURE RATING (PSI)*	WEIGHT (LBS)	PROJECT INFORMATION
		INCH	MM						
	BBSC0050	1/2"	15	10"	7/8"	1.031"	450	1	
	BBSC0075	3/4"	20	10"	1-1/4"	1.406"	340	1	
	BBSC0100	1"	25	10"	1-1/2"	1.781"	302	1	
	BBSC0125	1-1/4"	32	10"	1-5/8"	2.109"	280	2	
	BBSC0150	1-1/2"	38	12"	2"	2.438"	245	3	
	BBSC0200	2"	50	14"	2-1/2"	3.078"	190	4	
	BBSC0250	2-1/2"	65	16"	2-29/32"	3.969"	150	4	
	BBSC0300	3"	80	16"	3-13/32"	4.422"	150	4	

*FOR SAFE WORKING PRESSURE ABOVE 70°F, MULTIPLY THE PRESSURE SHOWN AT 70°F TIMES THE CORRECTION FACTOR OF THE REQUIRED TEMPERATURE.

MAX INTERMITTENT OFFSET FROM CENTERLINE 1/4"
MAX PERMANENT OFFSET FROM CENTERLINE 1/2"

TEMPERATURE (°F)	FACTOR
70	1.0
150	.92
200	.89
250	.86
300	.83
350	.81



NSF 372 - LEAD FREE

The wetted surface of this product contacted by consumable water contains less than one quarter of one percent (0.25%) of lead by weight. Material complies with state codes and standards, where applicable, requiring reduced lead content.

CUSTOMER: _____

PROJECT: _____

ENGINEER: _____

REV. 1	TEMP FACTOR UPDATED	DATE 12/28/2016
		2323 W. HUBBARD ST. CHICAGO, IL 60612 TEL: 312-738-3800 FAX: 312-738-0415 WWW.METRAFLEX.COM
MODEL BBSC FLEXIBLE PUMP CONNECTOR FOR COPPER		
DRAWN BY: DKISH		DATE: 1/10/2014
APPROVED: JC		DATE: 1/10/2014
SCALE: N/A	DRAWING NUMBER: BBSC-1	